

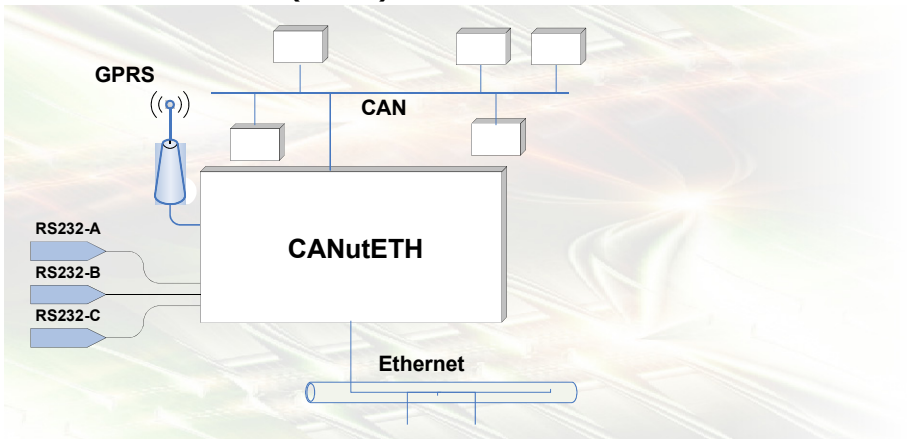


CANutETH

Ethernet-CAN-GPRS Gateway



CANutETH gateway links CAN bus, Ethernet and GPRS networks and automates communication events responding to multiple bus trigger conditions. A PC graphical user interface allows configuring communication event handling for a stand alone functionality in controller mode. The internal router, port forwarding and VPN tunneling provide secure integration to local area networks (LAN).



Specifications

CAN

CAN bus 2.0A/B interface
NMEA2000 Standard connector,

Ethernet

10/100 Base-T. Shielded RJ-45
1,5 kV isolation transformer
Ethernet IEEE 802-3, 802-2

GPRS

Internal module and SIM card socket Compliant to GSM phase 2/2+ FME external antenna connector (50 U) Dual-band EGSM 900(2W) and GSM 1800 GPRS multi-slot class 10 GPRS mobile station class B Max. 85.6 kbps GPRS downlink speed Max. 21.4 kbps GPRS uplink speed

Processor

Analog Devices ADSP-BF537
32bit processor
2 MB NOR FLASH memory
256 MB NAND FLASH memory
32 MB SDRAM memory

Features

- 10/100 Base-T Ethernet
- CAN bus 2.0A/B interface (selectable high speed or low speed transceiver)
- Quad band: GSM 850/900/1800/1900Mhz GPRS/EGPRS
- SMS access for configuration and instruction modes
- Internal SIM card
- Optional GPS positioning
- Up to 3 different RS232 ports
- Embedded web server based configuration utility
- Up to 200MB of nonvolatile storage resources
- Optional battery Lithium ion battery pack
- Scripting, event triggering/automation
- Internal temperature Sensor
- Gateway transparent mode or Stand alone controller mode

Contact

ramDSP electronics
<http://www.ramdsp.com>
info@ramdsp.com

